

# JET

**JSSG-10**

**Slow Speed Wet Sharpener**

Original:

**GB**  
**Operating Instructions**

Translations:

**D**  
**Gebrauchsanleitung**

**F**  
**Mode d'emploi**



**Walter Meier (Tool) AG**

Tämperlistrasse 5  
CH-8117 Fällanden  
Switzerland

Phone +41 44 806 47 48

Fax +41 44 806 47 58

[jetinfo.eu@waltermeier.com](mailto:jetinfo.eu@waltermeier.com)

[www.jettools.com](http://www.jettools.com)



## CE-Conformity Declaration

Product: Wet Sharpener

**JSSG-10**  
**Stock Number: 708015M**

Brand: JET

Manufacturer:  
Walter Meier (Tool) AG, Tämperlistrasse 5, CH-8117 Fällanden, Switzerland

On our own responsibility we hereby declare that this product complies  
with the regulations

- \* 2006/42/EC Machinery Directive
- \* 2004/108/EC EMC Directive (Electro Magnetic Compatibility)
- \* 2006/95/EC Low Voltage Directive
- \* 2002/95/EC RoHS Directive (Reduction of Hazardous Substances)

designed in consideration of the standards

\*\* EN 61029-1, EN 61029-2-4, EN 55014-1, EN 55014-2, EN 61000-3-2, EN 61000-3-3

Technical file compiled by: Bruno Bergmann, Product Management



2010-08-20 Carl Müller, General Manager

Walter Meier (Tool) AG, Tämperlistrasse 5, CH-8117 Fällanden, Switzerland

# GB - ENGLISH

## Operating Instructions

Dear Customer,

Many thanks for the confidence you have shown in us with the purchase of your new JET-machine. This manual has been prepared for the owner and operators of a JET **JSSG-10 wet sharpener** to promote safety during installation, operation and maintenance procedures. Please read and understand the information contained in these operating instructions and the accompanying documents. To obtain maximum life and efficiency from your machine, and to use the machine safely, read this manual thoroughly and follow instructions carefully.

### ...Table of Contents

#### 1. Declaration of conformity

#### 2. Warranty

#### 3. Safety

Authorized use  
General safety notes  
Remaining hazards

#### 4. Machine specifications

Technical data  
Noise emission  
Contents of delivery  
Machine description

#### 5. Transport and start up

Transport and installation  
Assembly  
Mains connection  
Starting operation

#### 6. Machine operation

Stone wheel dressing  
Tool grinding  
Tool honing

#### 7. Setup and adjustments

Sharpening jig setup  
Torque adjustment  
Changing the stone wheel  
Changing the honing wheel

#### 8. Maintenance and inspection

#### 9. Trouble shooting

#### 10. Environmental protection

#### 11. Available accessories

### 1. Declaration of conformity

On our own responsibility we hereby declare that this product complies with the regulations\* listed on page 2. Designed in consideration with the standards\*\*.

### 2. Warranty

The Seller guarantees that the supplied product is free from material defects and manufacturing faults.

This warranty does not cover any defects which are caused, either directly or indirectly, by incorrect use, carelessness, accidental damage, repair, inadequate maintenance or cleaning and normal wear and tear.

Guarantee and/or warranty claims must be made within twelve months from the date of purchase (date of invoice). Any further claims shall be excluded.

This warranty includes all guarantee obligations of the Seller and replaces all previous declarations and agreements concerning warranties.

The warranty period is valid for eight hours of daily use. If this is exceeded, the warranty period shall be reduced in proportion to the excess use, but to no less than three months.

Returning rejected goods requires the prior express consent of the Seller and is at the Buyer's risk and expense.

Further warranty details can be found in the General Terms and Conditions (GTC). The GTC can be viewed at [www.jettools.com](http://www.jettools.com) or can be sent by post upon request.

The Seller reserves the right to make changes to the product and accessories at any time.

### 3. Safety

#### 3.1 Authorized use

This machine is designed for grinding and sharpening of tools only.

Machining of other materials is not permitted and may be carried out in specific cases only after consulting with the manufacturer.

For machining the tools must allow to safely be loaded and guided.

The proper use also includes compliance with the operating and maintenance instructions given in this manual.

The machine must be operated only by persons familiar with its operation and maintenance and who are familiar with its hazards.

The required minimum age must be observed

The machine must only be used in a technically perfect condition.

When working on the machine, all safety mechanisms and covers must be mounted.

In addition to the safety requirements contained in these operating instructions and your country's applicable regulations, you should observe the generally recognized technical rules concerning the operation of metalworking machines.

Any other use exceeds authorization. In the event of unauthorized use of the machine, the manufacturer renounces all liability and the responsibility is transferred exclusively to the operator.

#### 3.2 General safety notes

Metalworking machines can be dangerous if not used properly. Therefore the appropriate general technical rules as well as the following notes must be observed.

Read and understand the entire instruction manual before attempting assembly or operation.

Keep this operating instruction close by the machine, protected from dirt and humidity, and pass it over to the new owner if you part with the tool.

No changes to the machine may be made.

Daily inspect the function and existence of the safety appliances before you start the machine.

Do not attempt operation in this case, protect the machine by unplugging the mains cord.

Remove all loose clothing and confine long hair.

Before operating the machine, remove tie, rings, watches, other jewellery, and roll up sleeves above the elbows.

Wear safety shoes; never wear leisure shoes or sandals.

Always wear the approved working outfit

- safety goggles
- ear protection.

#### Use safety goggles at all times.

Tools are sharp and can lead to heavy injuries, always handle them with care.

Tools to be sharpened must be held in the appropriate fixture and be guided firmly so it can not move and fly off during the sharpening operation.

Never perform any operation freehand.

Never place your hand near the cutting area, grinding stone and honing wheel while machine is in operation.

Never attempt to hone a tool against the rotation, the tool will be thrown away and the honing wheel be damaged.

Install the machine so that there is sufficient space for safe operation.

Keep work area well lighted.

The machine is designed to operate in closed rooms and must be placed stable on firm and levelled ground.

Make sure that the power cord does not impede work and cause people to trip.

Keep the floor around the machine clean and free of scrap material, oil and grease.

Stay alert!

Give your work undivided attention. Use common sense. Do not operate the machine when you are tired.

Keep an ergonomic body position. Maintain a balanced stance at all times.

Do not operate the machine under the influence of drugs, alcohol or any medication. Be aware that medication can change your behaviour.

Keep children and visitors a safe distance from the work area.

Flying sparks can occur when grinding dry. They can cause injury and ignite flammable materials.

Never reach into the machine while it is operating or running down.

Never leave a running machine unattended. Before you leave the workplace switch off the machine.

Do not operate the electric tool near inflammable liquids or gases. Normal brushfire might ignite.

Observe the fire fighting and fire alert options, for example the fire extinguisher operation and place.

Do not use the machine in a dump environment and do not expose it to rain.

Do not force the power tool. It will do a better and safer job and give you much better service if it is used at the rate for which it was designed.

Make sure the tool operates properly. Periodically check screws and bolts for tightness.

Never operate with the guards not in place – serious risk of injury!

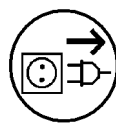
Connection and repair work on the electrical installation may be carried out by a qualified electrician only

Always unwind any extension cords fully.

Damaged extension cords replace immediately.

Make certain the switch is in the OFF-position before connecting the machine to the power supply.

Do not use the power tool if the ON/OFF switch does not turn the power tool ON and OFF.



Make all machine adjustments or maintenance with the machine unplugged from the power source.

Remove defective abrasive wheels immediately.

A wet stone may not be placed at temperatures below 0°C (danger of freezing).

### 3.3 Remaining hazards

When using the machine according to regulations some remaining hazards may still exist

The moving abrasive wheel in the work area can cause injury.

Broken abrasive wheels can cause injuries.

Thrown tools, dust and noise can be health hazards.

Be sure to wear personal protection gear such as safety goggles, dust mask and ear protection.

The use of incorrect mains supply or a damaged power cord can lead to injuries caused by electricity.

Avoid body contact with earthed or grounded surfaces (e.g. pipes, radiators, ranges and refrigerators).

## 4. Machine specifications

### 4.1 Technical data

Grinding wheel	Ø250x 50x Ø12mm
Honing wheel	Ø230x 30mm
No load speed	90 - 150 rpm
Overall L x W x H	400 x 300 x 330mm
Weight	14,5 kg
Mains	230V ~1L/N/PE 50-60Hz
Motor input power	160W
Reference current	0,9 A
Extension cord (H07RN-F)	3x1mm <sup>2</sup>
Installation fuse protection	10A
Isolation class	I

### 4.2 Noise emission

(Inspection tolerance 4 dB)

Acoustic power level  
(according EN ISO 3746):  
Idling LwA 74,0 dB(A)

Acoustic pressure level  
(according to EN ISO 11202):  
Idling LpA 68,7 dB(A)

The specified values are emission levels and are not necessarily to be seen as safe operating levels. This information is intended to allow the user to make a better estimation of the hazards and risks involved.

### 4.3 Content of delivery

Slow speed wet sharpener  
Stone wheel Ø250mm, 250 grit  
Leather honing wheel Ø230mm  
Water tank  
Support arm  
Straight edge jig  
Stone grader  
Honing compound  
Angle measuring device  
Existing angle measuring device  
Operating manual  
Spare parts list  
DVD

#### 4.4 Machine description

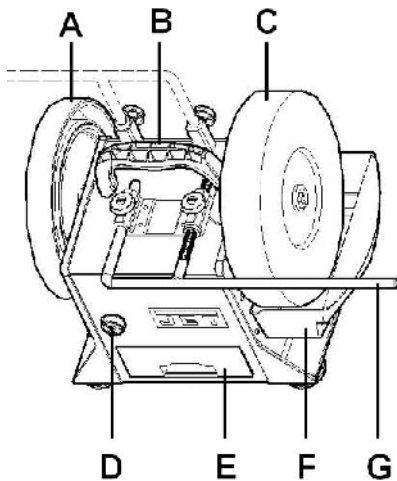


Fig 1

- A....Leather honing wheel
- B....Carrying handle
- C....Stone wheel
- D....Torque adjust knob
- E....Storage drawer
- F....Water tank
- G....Support arm
- H....Speed adjust knob
- I.....ON/OFF switch
- J.....Rubber feet (4)

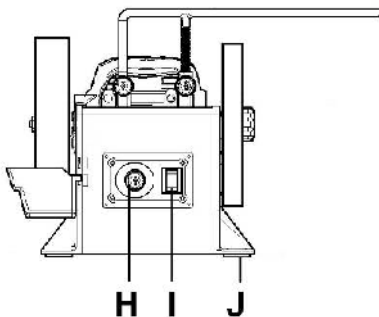


Fig 2

- P....Straight edge Jig
- Q...Stone grader
- R...Honing compound
- S....Angle measuring device
- T...Exist angle measuring device

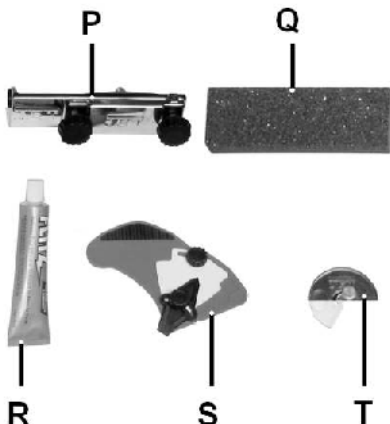


Fig 3

#### 5. Transport and start up

##### 5.1 Transport and installation

The machine is designed to operate in closed rooms and must be placed stable on firm and levelled surface. The machine can be bolted down if required.

For packing reasons the machine is not completely assembled.

##### 5.2 Assembly

If you notice any transport damage while unpacking, notify your supplier immediately. Do not operate the machine!

Dispose of the packing in an environmentally friendly manner.

Clean all rust protected surfaces with a mild solvent.

##### Remove the transport lock:

There is a foam block inside the machine that is used during shipment to keep the motor shaft from resting on the drive wheel.

Please remove the storage drawer (E), turn the machine on its side, and remove the internal foam before operating.

##### Mount the stone wheel:

Install the stone wheel (C) on the shaft (K).

Place a washer (L) on each sides of the stone wheel and tighten the nut (M).

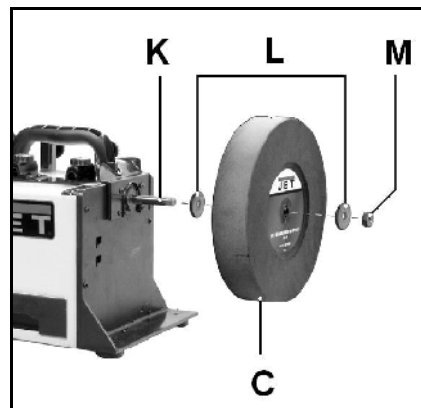


Fig 4

Note:

For your convenience the stone wheel has already been trued at the factory. This gives you a good stone runout right from the start.

##### Mount the water tank:

Install the water tank (F) on the side of the machine.

Fill the water tank with water up to the "MAX" marked water level.

Note: The stone will soak up a lot of water (approximately 0,5 litre) in the first 15 minutes.

When the stone wears down to a smaller diameter the second (upper) mounting position has to be chosen.

##### Mount the support arm:

Install the support arm (G) to the machine.

Depending on the sharpening job it can be installed in different positions.

##### Storage:

The machine has an integrated storage drawer (E) where the standard accessories can be stowed away.

The existing angle measuring device (T) will stick to the magnets on the designated place at the side of the machine.

The angle measuring device (S) has integrated magnets and will stick to the machine body at any place.

##### 5.3 Mains connection

Make certain the switch (I, Fig 2) is in the OFF-position before connecting the machine to the power supply.

Mains connection and any extension cords used must comply with applicable regulations.

The mains voltage must comply with the information on the machine licence plate.

The mains connection must have a 10A surge-proof fuse.

Only use power cords marked H07RN-F

Connections and repairs to the electrical equipment may only be carried out by qualified electricians.

##### 5.4 Starting operation

You can start and stop the machine with the ON/OFF switch (I).

The machine has variable speed 90-150 RPM to adapt to various sharpening and honing purposes.

With the variable speed control knob (H) the best suitable speed can be chosen.

As the diameter of the stone wheel reduces during use the variable speed allows compensating for it.

**6. Machine operation**

Always wear the approved working outfit.

**Use safety goggles at all times.**

Never place your hand near the machining area, grinding stone and honing wheel while machine is in operation.

Flying sparks can occur when grinding dry. They can cause injury and ignite flammable materials.

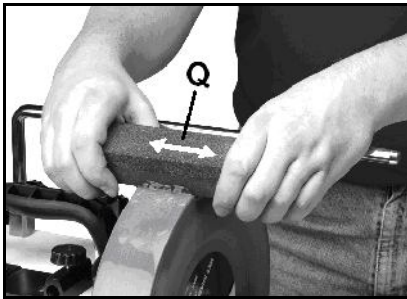
Remove defective abrasive wheels immediately.

Tools are sharp and can lead to heavy injuries, always handle them with care.

Make certain the switch (I) is in the OFF-position before connecting the machine to the power supply.

**6.1 Stone wheel dressing**

The supplied dual surface stone grader (Q) dresses the stone wheel for fine or coarse sharpening.



**Fig 5**

Start the machine.

Move the stone grader left/right for even dressing of the stone.

Applying the 2 surfaces of the stone-grader changes the stone-wheel from coarse to fine and back again.

Use the stone grader to sharpen the grit of the stone whenever needed.

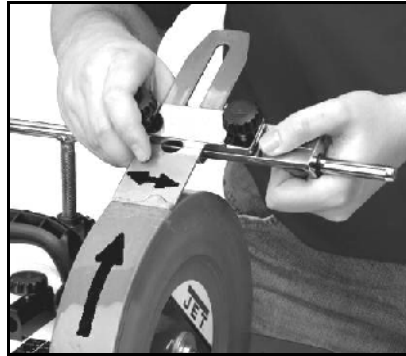
**6.2 Tool grinding**

Tools to be sharpened must be held in the appropriate fixture and be guided firmly so it can not move or fly off during the sharpening process.

Never perform any operation freehand.

In most cases you will achieve the best result if you grind against the wheel (Fig 6).

The wet sharpener may have to be turned around to get to a convenient operating position.



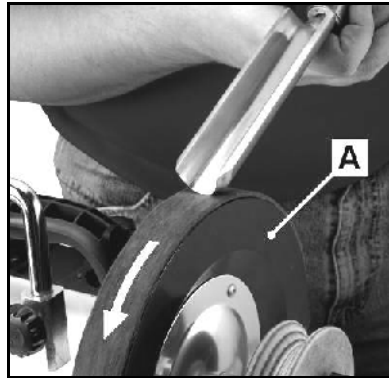
**Fig 6**

Move the tool left/right as you grind for even wear of the stone.

Narrow or convex cutting edges require little pressure only.

**6.3 Tool honing**

Apply some honing compound (R) to the leather honing wheel (A).



**Fig 7**

For a quick burr removal, alternately hone both sides of the cutting edge.

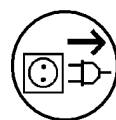
Always hone with the wheel (Fig 7).

The wet sharpener may have to be turned around to get to a convenient operating position.

**Attention:**

Never attempt to hone a tool against the rotation, the tool will be thrown away and the honing wheel be damaged.

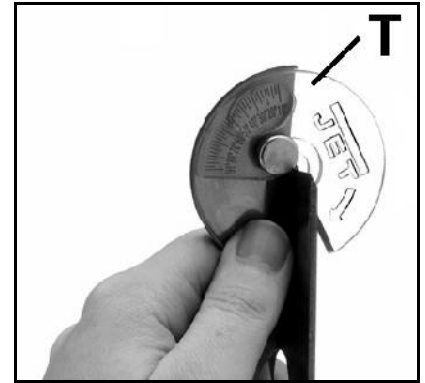
**7. Setup and adjustments**



Make all adjustments or maintenance with the machine unplugged from the power source.

**7.1 Sharpening jig setup**

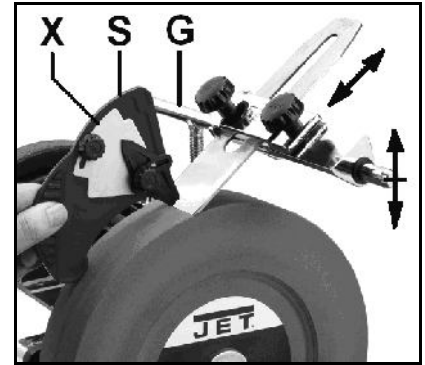
Use the existing angle measuring device (T) to establish the tools existing cutting edge.



**Fig 8**

Clamp the tool in the appropriate jig.

Adjust the support arm (G, Fig 9) and change the tool clamping position to get to the wanted grinding angle.



**Fig 9**

Use the angle measuring device (S) to inspect the angle in relation to the stone wheel.

Note:

The stone diameter needs to be set on the scale (X) to get correct angle reading.

**7.2 Torque adjustment**

During heavy machining the friction drive may slip.

Therefore a torque adjustment has been installed to the machine.

Turn the torque adjust knob (D, Fig 1) clockwise to add more pressure to the friction drive.

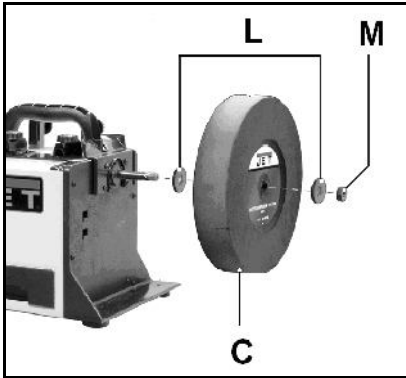
When no added torque is required or when the machine is not in use, release the pressure to avoid permanent deformation of the friction drive rubber (O).

**7.3 Changing the stone wheel**

If the stone wheel (C) is worn down to a diameter of approximately 150mm it needs to be replaced.

Disconnect from power source, unplug!

Loosen the Nut (M) and remove the old stone wheel.



**Fig 10**

The new stone wheel has to meet the technical specification.

Check abrasive wheel for flaws (e.g. cracks) before installation. Do not use faulty wheels.

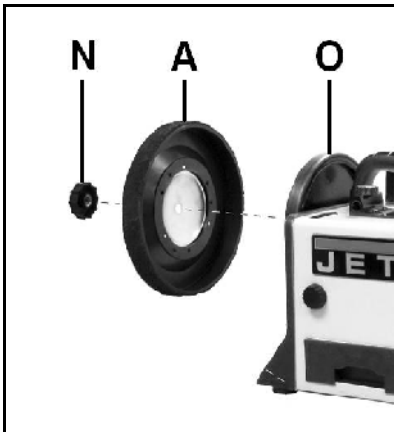
Install the new stone wheel (C, Fig 10....Jet Article No.: 708042).

Place a washer (L) on each sides of the stone wheel and tighten the nut (M).

**7.4 Changing the honing wheel**

Disconnect from power source, unplug!

Loosen the lock knob (N) and remove the worn honing wheel.



**Fig 11**

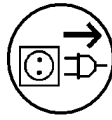
Install the new leather honing wheel (A, Fig 11....Jet Article No.: 708043)

Pay attention that the 3 drive pins engage with the friction drive wheel (O).

If the leather strop wheel seems to wobble, please try rotating it to the next pin location.

Tighten the lock knob (N)

**8. Maintenance and inspection**



Make all adjustments or machine maintenance with the machine unplugged from the power source.

Repair and maintenance work on the electrical system may only be carried out by a qualified electrician.

All protective and safety devices must be re-attached immediately after completed cleaning, repair and maintenance work.

Defective safety devices must be replaced immediately.

**Cleaning:**

Regularly change the water in the water tank.

Regularly clean the machine housing with a soft cloth preferably after each use.

If the dirt does not come off use a soft cloth moistened with soapy water.

Never use solvents such as petrol, alcohol, ammoniac water, etc. These solvents may damage the plastic parts.

**Inspecting the brushes:**

Disconnect from power source, unplug!

Inspect the motor brushes after 300 hours of use.

If the brushes are worn to 6 mm replace them.

(Jet Article No: 708015-105E ...2 pieces needed)

**9. Trouble shooting**

**Motor doesn't start**

\*No electricity- check mains and fuse.

\*Defective switch, motor or cord- consult an electrician.

\*Motor brushes worn- Replace brushes.

**Machine vibrates excessively**

\*Stand on uneven surface- adjust base for even support.

\*abrasive wheel unbalanced- use diamond truing tool to improve runout.

**Sharpening surface not flat**

\*Worn stone wheel- use stone grader or diamond truing tool to straighten the wheel surface.

\*Static grinding- Move the tool as you grind for even wear of the stone.

**Sharpening surfaces is bad**

\*Worn stone wheel grit- Use stone grader to sharpen the grit

\*Leather honing wheel is dry- add honing compound to the wheel.

\*Pressure too high- Do not force the tool.

**10. Environmental protection**

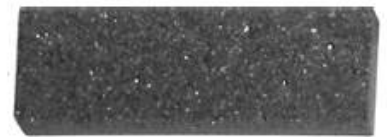
Protect the environment.

Your appliance contains valuable materials which can be recovered or recycled. Please leave it at a specialized institution.

**11. Available accessories**



**Drawer base (Jet Article No.: 708016)**



**Stone grader (708017)**



**Diamond truing tool (708018)**



**Knife jig (708019)**



**Gouge jig (708020)**



**Profiled leather honing wheel (708028)**



**Long knife jig (708021)**



**Axe jig (708031)**



**Honing Compound (708023)**



**Plane chamber jig (708032)**



**Machine Cover (708024)**



**Tool rest (708034)**



**Support arm extension (708040)**



**Carving tool jig (708025)**



**Scissor jig (708026)**



**Side wheel grinding jig (708027)**



# DE - DEUTSCH

## Gebrauchsanleitung

Sehr geehrter Kunde,

vielen Dank für das Vertrauen, welches Sie uns beim Kauf Ihrer neuen JET-Maschine entgegengebracht haben. Diese Anleitung ist für den Inhaber und die Bediener zum Zweck einer sicheren Inbetriebnahme, Bedienung und Wartung des **Nassschleifers JSSG-10** erstellt worden. Beachten Sie bitte die Informationen dieser Gebrauchsanleitung und der beiliegenden Dokumente. Lesen Sie diese Anleitung vollständig, insbesondere die Sicherheitshinweise, bevor Sie die Maschine zusammenbauen, in Betrieb nehmen oder warten. Um eine maximale Lebensdauer und Leistungsfähigkeit Ihrer Maschinen zu erreichen befolgen Sie bitte sorgfältig die Anweisungen.

### Inhaltsverzeichnis

#### 1. Konformitätserklärung

#### 2. Garantieleistungen

#### 3. Sicherheit

Bestimmungsgemäße Verwendung  
Allgemeine Sicherheitshinweise  
Restrisiken

#### 4. Maschinenspezifikation

Technische Daten  
Schallemission  
Lieferumfang  
Beschreibung der Maschine

#### 5. Transport und Inbetriebnahme

Transport und Aufstellung  
Montage  
Elektrischer Anschluss  
Inbetriebnahme

#### 6. Betrieb der Maschine

Stein Präparierung  
Werkzeug Schleifen  
Werkzeug Polieren

#### 7. Rüst- und Einstellarbeiten

Schleifvorrichtung Einstellung  
Reibraddruck Einstellung  
Wechsel der Schleifscheibe  
Wechsel der Leder Abziehscheibe

#### 8. Wartung und Inspektion

#### 9. Störungsabhilfe

#### 10. Umweltschutz

#### 11. Lieferbares Zubehör

### 1. Konformitätserklärung

Wir erklären in alleiniger Verantwortlichkeit, dass dieses Produkt mit den auf Seite 2 angegebenen Richtlinien\* übereinstimmt.

Bei der Konstruktion wurden folgende Normen\*\* berücksichtigt.

### 2. Garantieleistungen

Der Verkäufer garantiert, dass das gelieferte Produkt frei von Material- und Fertigungsfehlern ist. Diese Garantie trifft nicht auf jene Defekte zu, welche auf direkten oder indirekten, nicht fachgerechten Gebrauch, Unachtsamkeit, Unfallschaden, Reparatur, mangelhafte Wartung bzw. Reinigung sowie normalen Verschleiß zurückzuführen sind.

Garantie- bzw. Gewährleistungsansprüche müssen innerhalb von 12 Monaten ab dem Verkaufsdatum (Rechnungsdatum) geltend gemacht werden. Weitergehende Ansprüche sind ausgeschlossen.

Die vorliegende Garantie umfasst sämtliche Garantieverpflichtungen seitens des Verkäufers und ersetzt alle früheren Erklärungen und Vereinbarungen betreffend Garantien.

Die Garantiefrist gilt für eine tägliche Betriebszeit von 8 Stunden. Wird diese überschritten, so verkürzt sich die Garantiefrist proportional zur Überschreitung, jedoch höchstens auf 3 Monate.

Die Rücksendung beanstandeter Ware bedarf der ausdrücklichen vorherigen Zustimmung vom Verkäufer und geht auf Kosten und Gefahr des Käufers.

Die ausführlichen Garantieleistungen sind den Allgemeinen Geschäftsbedingungen (AGB) zu entnehmen. Die AGB sind unter [www.jettools.com](http://www.jettools.com) einzusehen oder werden auf Anfrage per Post zugestellt.

Der Verkäufer behält sich das Recht vor, jederzeit Änderungen am Produkt und Zubehör vorzunehmen.

### 3. Sicherheit

#### 3.1 Bestimmungsgemäße Verwendung

Die Maschine ist zum Schleifen und Schärfen von Werkzeugen geeignet.

Die Bearbeitung anderer Werkstoffe ist nicht zulässig bzw. darf in Sonderfällen nur nach Rücksprache mit dem Maschinenhersteller erfolgen.

Es dürfen nur Werkzeuge bearbeitet werden welche sicher zugeführt, und geführt werden können.

Die bestimmungsgemäße Verwendung beinhaltet auch die Einhaltung der vom Hersteller angegebenen Betriebs- und Wartungsanweisungen.

Die Maschine darf ausschließlich von Personen bedient werden, die mit Betrieb und Wartung vertraut und über die Gefahren unterrichtet sind.

Das gesetzliche Mindestalter ist einzuhalten.

Die Maschine nur in technisch einwandfreiem Zustand benutzen.

Beim Arbeiten an der Maschine müssen sämtliche Schutzeinrichtungen und Abdeckungen montiert sein.

Neben den in der Gebrauchsanleitung enthaltenen Sicherheitshinweisen und den besonderen Vorschriften Ihres Landes sind die für den Betrieb von Metallbearbeitungsmaschinen allgemein anerkannten fachtechnischen Regeln zu beachten.

Jeder darüber hinaus gehende Gebrauch gilt als nicht bestimmungsgemäß und für daraus resultierende Schäden haftet der Hersteller nicht. Das Risiko trägt allein der Benutzer.

### 3.2 Allgemeine Sicherheitshinweise

Metallbearbeitungsmaschinen können bei unsachgemäßem Gebrauch gefährlich sein. Deshalb ist zum sicheren Betreiben die Beachtung der zutreffenden Unfallverhütungsvorschriften und der nachfolgenden Hinweise erforderlich.

Lesen und verstehen Sie die komplette Gebrauchsanleitung bevor Sie mit Montage oder Betrieb der Maschine beginnen.

Bewahren Sie die Bedienungsanleitung, geschützt vor Schmutz und Feuchtigkeit, bei der Maschine auf, und geben Sie sie an einen neuen Eigentümer weiter.

An der Maschine dürfen keine Veränderungen, An- und Umbauten vorgenommen werden.

Überprüfen Sie täglich vor dem Einschalten der Maschine die einwandfreie Funktion und das Vorhandensein der erforderlichen Schutzeinrichtungen.

Festgestellte Mängel an der Maschine oder den Sicherheitseinrichtungen sind zu melden und von den beauftragten Personen zu beheben. Nehmen Sie die Maschine in solchen Fällen nicht in Betrieb, sichern Sie die Maschine gegen Einschalten durch Ziehen des Netzsteckers.

Zum Schutz von langem Kopfhaar Mütze oder Haarnetz aufsetzen.

Enganliegende Kleidung tragen, Schmuck, Ringe und Armbanduhren ablegen.

Tragen Sie Schutzschuhe, keinesfalls Freizeitschuhe oder Sandalen.

Verwenden Sie die durch Vorschriften geforderte persönliche Schutzausrüstung  
-Augenschutz  
-Gehörschutz.

#### Verwenden Sie immer eine Schutzbrille.

Werkzeuge sind scharf und können zu schweren Verletzungen führen, handhaben Sie diese immer mit Vorsicht.

Werkzeuge immer in geeigneter Schleifvorrichtung aufspannen und sicher führen so dass diese nicht verrutschen oder wegfliegen können.

Schleifen Sie niemals aus der freien Hand

Während des Betriebs der Maschine mit den Fingern ausreichend Abstand zum Schleifbereich halten.

Polieren Sie niemals ein Werkzeug gegen die Laufrichtung, das Werkzeug würde weggeschleudert und die Leder-Abziehscheibe beschädigt.

Die Maschine so aufstellen, dass genügend Platz zum Bedienen und zum Führen der Werkzeuge gegeben ist.

Sorgen Sie für gute Beleuchtung.

Achten Sie darauf, dass die Maschine standsicher auf festem und ebenem Grund steht.

Beachten Sie dass die elektrische Zuleitung nicht den Arbeitsablauf behindert und nicht zur Stolperstelle wird.

Den Arbeitsplatz frei von behindernden Werkstücken, etc. halten.

Seien Sie aufmerksam und konzentriert. Gehen Sie mit Vernunft an die Arbeit.

Achten Sie auf ergonomische Körperhaltung. Sorgen Sie für sicheren Stand und halten Sie jederzeit das Gleichgewicht.

Arbeiten Sie niemals unter dem Einfluss von Rauschmitteln wie Alkohol und Drogen an der Maschine. Beachten Sie, dass auch Medikamente Einfluss auf Ihr Verhalten nehmen können.

Halten Sie Unbeteiligte, insbesondere Kinder vom Gefahrenbereich fern.

Funkenflug, der beim Trockenschleifen auftritt, kann zu Verletzungen führen und brennbare Materialien entzünden.

Fassen Sie beim Führen und Abnehmen eines Werkstückes niemals mit den Händen in die laufende Maschine.

Die laufende Maschine nie unbeaufsichtigt lassen. Vor dem Verlassen des Arbeitsplatzes die Maschine ausschalten.

Benützen Sie die Maschine nicht in der Nähe von brennbaren Flüssigkeiten oder Gasen. Normales Bürstenfeuer könnte zur Entzündung führen.

Beachten Sie die Brandmelde- und Brandbekämpfungsmöglichkeiten z.B. Standort und Bedienung von Feuerlöschern.

Benützen Sie die Maschine nicht in feuchter Umgebung und setzen Sie sie nicht dem Regen aus.

Die Maschine nicht überfordern. Sie arbeitet viel besser und hält länger, wenn sie der Leistung entsprechend eingesetzt wird.

Stellen Sie sicher, dass das Werkzeug richtig funktioniert. Überprüfen Sie regelmäßig, ob die Schrauben fest angezogen sind.

Die Maschine nie bei entfernten Schutzeinrichtungen in Betrieb nehmen – große Verletzungsgefahr!

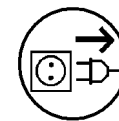
Arbeiten an der elektrischen Ausrüstung der Maschine dürfen nur durch eine Elektrofachkraft vorgenommen werden.

Verlängerungskabel immer ganz von der Trommel abwickeln.

Tauschen Sie ein beschädigtes Verlängerungskabel sofort aus.

Stellen Sie sicher dass sich der Schalter in der AUS-Stellung befindet bevor Sie die Maschine einstecken.

Niemals Elektrowerkzeug benutzen, wenn der Ein-Ausschalter nicht ordnungsgemäß funktioniert.



Rüst-, Einstell- und Reinigungsarbeiten nur im Maschinenstillstand und bei gezogenem Netzstecker vornehmen.

Schadhafte Schleifscheiben sofort ersetzen.

Ein nasser Schleifstein darf keinen Temperaturen unter 0°C ausgesetzt werden (Frostgefahr).

### 3.3 Restrisiken

Auch bei vorschriftsmäßiger Benutzung der Maschine bestehen die nachfolgend aufgeführten Restrisiken:

Verletzungsgefahr durch die frei laufende Schleifscheibe im Arbeitsbereich.

Gefährdung durch Bruch der Schleifscheibe.

Gefährdung durch wegfliegende Werkzeuge, Lärm und Staub. Unbedingt persönliche Schutzausrüstung wie Augen- Gehör- und Staubschutz tragen.

Gefährdung durch Strom bei nicht ordnungsgemäßer Verkabelung. Körperkontakt mit geerdeten Geräten (z.B. Rohre, Heizkörper, Kochherde etc.) vermeiden.

## 4. Maschinenspezifikation

### 4.1 Technische Daten

Schleifstein	Ø250x 50x Ø12mm
Leder-Abziehscheibe	Ø230x 30mm
Leerlaufdrehzahl	90-150 U/min
Abmessung LxBxH	400x300x330mm
Gewicht	14,5 kg

Netzanschluss	230V ~1L/N/PE	50-60Hz
Aufnahmeleistung	160W	
Betriebsstrom	0,9 A	
Anschlussleitung (H07RN-F)	3x1mm <sup>2</sup>	
Bauseitige Absicherung	10A	
Isolationsklasse	I	

### 4.2 Schallemission

(Messunsicherheitsfaktor 4 dB)

Schalleistungspegel (nach EN ISO 3746):	
Leerlauf	LwA 74,0 dB(A)

Schalldruckpegel (nach EN ISO 11202):	
Leerlauf	LpA 68,7 dB(A)

Die angegebenen Werte sind Emissionspegel und sind nicht notwendigerweise Pegel für sicheres Arbeiten.

Sie sollen dem Anwender der Maschine eine bessere Abschätzung der Gefährdung und des Risikos ermöglichen.

### 4.3 Lieferumfang

Nassschleifer  
 Schleifstein Ø250mm, 250 Korn  
 Leder-Abziehscheibe Ø230mm  
 Wassertank  
 Standard-Stützarm  
 Vorrichtung für gerade Schneiden  
 Stein-Präparierer  
 Tube mit Honierpaste  
 Schleifwinkel-Lehre  
 Winkelmesser  
 Gebrauchsanleitung  
 Ersatzteilliste  
 DVD

### 4.4 Beschreibung der Maschine

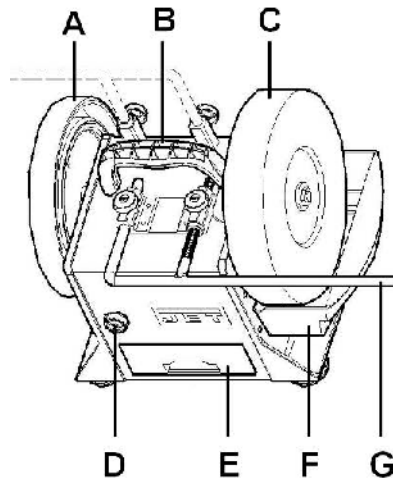


Fig 1

- A....Leder-Abziehscheibe
- B....Tragegriff
- C....Schleifstein
- D....Reibraddruck-Regler
- E....Werkzeuglade
- F....Wassertank
- G....Standard Stützarm

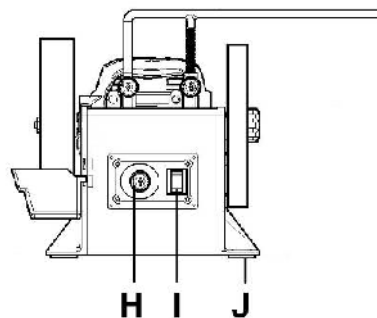


Fig 2

- P....Vorrichtung für gerade Schneiden
- Q....Stein-Präparierer
- R...Tube mit Honierpaste
- S...Winkellehre
- T...Winkelmesser

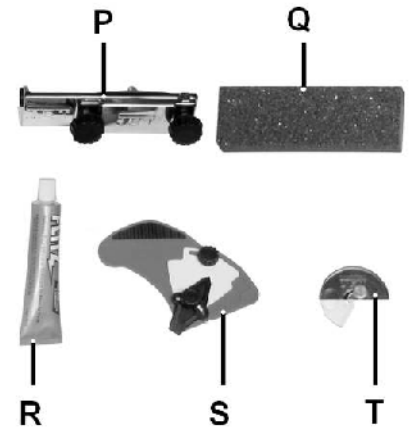


Fig 3

## 5. Transport und Inbetriebnahme

### 5.1.Transport und Aufstellung

Die Aufstellung der Maschine sollte in geschlossenen Räumen erfolgen, tischlerübliche Bedingungen in der Werkstatt sind dabei ausreichend.

Die Aufstellfläche muss ausreichend eben und belastungsfähig sein. Die Maschine kann bei Bedarf auf der Aufstellfläche befestigt werden.

Aus verpackungstechnischen Gründen ist die Maschine nicht komplett montiert.

### 5.2 Montage

Wenn Sie beim Auspacken einen Transportschaden feststellen benachrichtigen Sie umgehend Ihren Händler, nehmen Sie das Gerät nicht in Betrieb!

Entsorgen Sie die Verpackung bitte umweltgerecht.

Entfernen Sie das Rostschutzfett vom Maschinentisch mit einem milden Lösungsmittel.

**Entfernen der Transportsicherung:**  
 Es befindet sich eine Schaumstoff-Transportstütze zwischen Motor und Gehäuse.

Entfernen Sie die Werkzeuglade (E).

Legen Sie die Maschine zur Seite und entfernen Sie den Schaumstoff.

**Montage des Schleifsteins:**  
 Montieren Sie den Schleifstein (C) auf die Welle (K).

Legen Sie beiderseits des Schleifsteins Scheiben (L) bei und ziehen Sie die Mutter (M) fest.

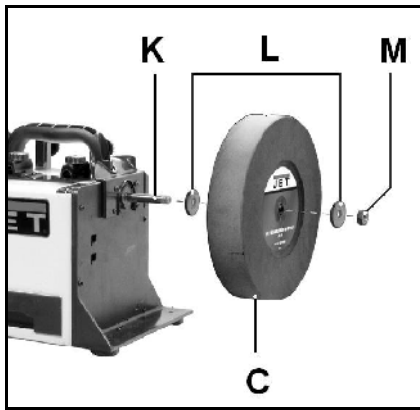


Fig 4

**Hinweis:**

Der Schleifstein wurde schon im Werk mit Diamant überdreht. Damit haben Sie von der ersten Minute einen guten Rundlauf.

**Montage des Wassertanks:**

Montieren Sie den Wassertank (F, Fig 1) seitlich am Maschinengehäuse. Füllen Sie den Wassertank mit Wasser bis zur gekennzeichneten "MAX" Wasserlinie.

**Hinweis:**

Der Stein saugt innerhalb der ersten 15 Minuten viel Wasser (circa 0,5 Liter).

Wenn sich durch Verschleiß der Stein-Durchmesser reduziert muss der Wassertank in der zweiten (höhergelegenen) Aufnahme montiert werden.

**Montage des Standard-Stützarms:**

Montieren Sie den Stützarm (G) auf der Maschine.

Für die verschiedenen Schleifaufgaben stehen verschiedene Montagemöglichkeiten zur Verfügung.

**Ablagemöglichkeiten:**

Das Standard-Zubehör kann in der Werkzeuglade (E) verstaut werden.

Der Winkelmesser (T) kann seitlich am Maschinengehäuse aufbewahrt werden. Der markierte Aufbewahrungsplatz ist mit Magneten versehen.

Die Winkellehre (S) ist mit Magneten versehen und lässt sich überall am Metallgehäuse festsetzen.

**5.3 Elektrischer Anschluss**

Stellen Sie sicher dass sich der Schalter (I, Fig 2) in der AUS-Stellung befindet bevor Sie die Maschine einstecken.

Der kundenseitige Netzanschluss sowie die verwendeten Verlängerungsleitungen müssen den Vorschriften entsprechen.

Die Netzspannung und Frequenz müssen mit den Leistungsschilddaten an der Maschine übereinstimmen.

Die bauliche Absicherung muss 10A betragen.

Verwenden Sie nur Anschlussleitungen mit Kennzeichnung H07RN-F.

Anschlüsse und Reparaturen der elektrischen Ausrüstung dürfen nur von einer Elektrofachkraft durchgeführt werden.

**5.4 Inbetriebnahme**

Die Maschine kann mit dem EIN/AUS Schalter (I) gestartet und gestoppt werden.

Um verschiedene Werkzeuge zu schärfen hat die Maschine eine regelbare Drehzahl von 90 bis 150 U/min.

Mit dem Drehzahlregler (H) kann die für die jeweilige Schärfoperation optimale Geschwindigkeit gewählt werden.

Wenn sich durch Verschleiß der Stein-Durchmesser reduziert dies mit einer höheren Drehzahl kompensiert werden.

**6. Betrieb der Maschine**

Für eine bequeme Arbeitsstellung kann es erforderlich sein den Nassschleifer um 180° zu drehen.

Verwenden Sie die durch Vorschriften geforderte persönliche Schutzausrüstung.

**Verwenden Sie immer eine Schutzbrille.**

Während des Betriebs der Maschine mit den Fingern ausreichend Abstand zum Schleifbereich halten.

Funkenflug, der beim Trockenschleifen auftritt, kann zu Verletzungen führen und brennbare Materialien entzünden.

Schadhafte Schleifscheiben sofort ersetzen.

Werkzeuge sind scharf und können zu schweren Verletzungen führen, handhaben Sie diese immer mit Vorsicht.

Stellen Sie sicher dass sich der Schalter (I) in der AUS-Stellung befindet bevor Sie die Maschine einstecken.

**6.1 Stein Präparierung**

Der Stein-Präparierer (Q) ist mit zwei unterschiedlichen Körnungen versehen, zur Präparierung des Schleifsteins auf Fein- oder Grobschliff.

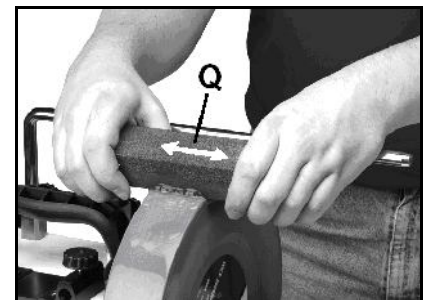


Fig 5

Starten Sie den Nassschleifer.

Bewegen Sie den Stein-Präparierer um einen gleichmäßigen Abtrag zu erreichen.

Durch Wechseln der Körnung lässt sich die Schleifwirkung von grob auf fein und wieder zurück einstellen.

Verwenden Sie den Stein Präparieren zur Schärfung der Schleifstein-Körnung nach Bedarf.

**6.2 Werkzeug Schleifen**

Werkzeuge immer in geeigneter Schleifvorrichtung aufspannen und sicher führen so dass diese nicht verrutschen oder wegfliegen können.

Schleifen Sie niemals aus der freien Hand

In den meisten Fällen wird ein Schleifen gegen die Laufrichtung das beste Ergebnis bringen (Fig 6).

Für eine bequeme Arbeitsstellung kann es erforderlich sein den Nassschleifer um 180° zu drehen.

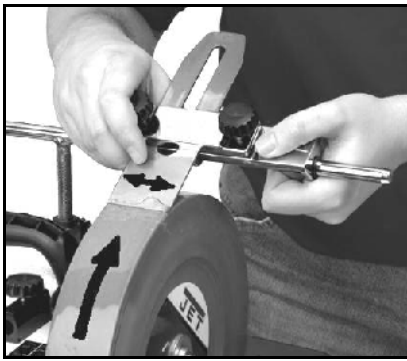


Fig 6

Bewegen Sie das Werkzeug links/rechts um einen gleichmäßigen Steinverschleiß zu erzielen.

Schmale oder runde Schneiden benötigen nur geringen Anpressdruck.

### 6.3 Werkzeug Polieren

Verteilen Sie etwas Honierpaste (R) auf der Leder Abziehscheibe (A).

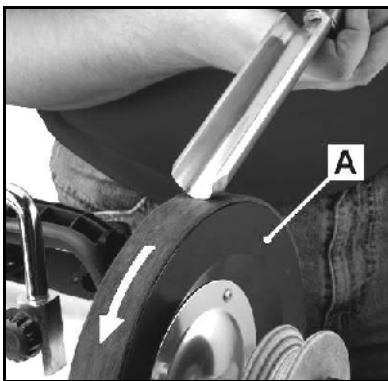


Fig 7

Um Grat schnell zu entfernen, polieren Sie abwechselnd beide Seiten der Schneide.

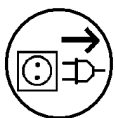
Polieren Sie immer in Laufrichtung (Fig 7).

Für eine bequeme Arbeitsstellung kann es erforderlich sein den Nassschleifer um 180° zu drehen.

#### Achtung:

Polieren Sie niemals ein Werkzeug gegen die Laufrichtung, das Werkzeug würde weggeschleudert und die Leder-Abziehscheibe beschädigt werden.

## 7. Rüst- und Einstellarbeiten



Rüst- und Einstellarbeiten dürfen nur bei gezogenem Netzstecker erfolgen!

### 7.1 Schleifvorrichtung Einstellung

Verwenden Sie den Winkelmesser (T) um den gegebenen Schneidwinkel zu ermitteln.

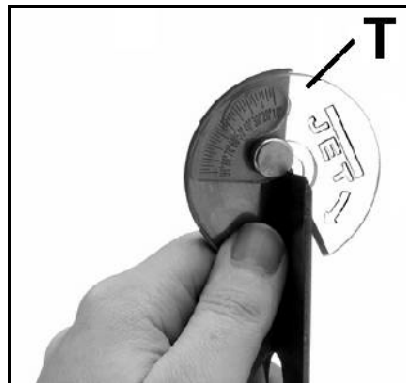


Fig 8

Montieren Sie das Werkzeug in die geeignete Schleifvorrichtung.

Verändern Sie die Position des Stützarms (G, Fig 9) und des Werkzeugs um den gewünschten Schärfwinkel einzustellen.

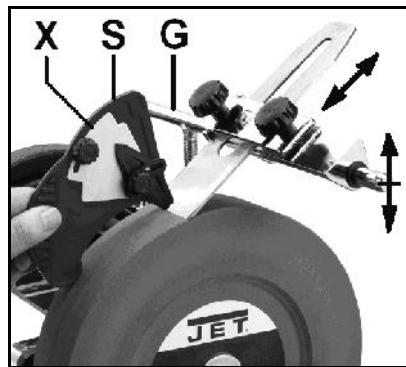


Fig 9

Verwenden Sie die Winkellehre (S) um den Schärfwinkel am Schleifstein zu prüfen.

#### Hinweis:

An der Skala (X) muss der Schleifscheiben-Durchmesser eingestellt sein.

### 7.2 Reibraddruck Einstellung

Bei schwerer Bearbeitung kann es vorkommen dass der Reibradantrieb rutscht.

Um dem entgegenzuwirken ist auf der Maschine ein Reibraddruck-Regler eingebaut.

Drehen Sie den Regelgriff (D) im Uhrzeigersinn um mehr Drehmoment zu übertragen.

Nehmen Sie den Druck wieder weg sobald kein zusätzliches Drehmoment erforderlich ist bzw. wenn die Maschine nicht benötigt wird. Dadurch wird eine bleibende Verformung des Reibradgummis (O) vermieden.

### 7.3 Wechsel des Schleifsteins

Der Schleifstein (C) muss ausgetauscht werden nachdem er einen Durchmesser von 150mm unterschritten hat.

Netzstecker ziehen.

Lösen Sie die Mutter (M) und entfernen Sie den alten Schleifstein.

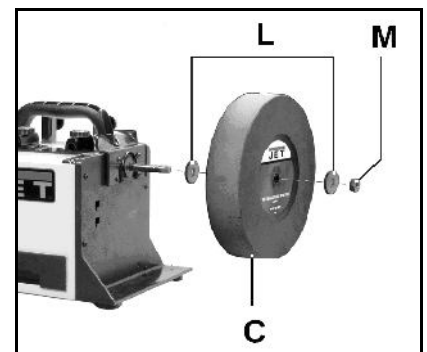


Fig 10

Der neue Schleifstein muss den angegebenen technischen Daten entsprechen.

Den Schleifstein vor dem Auflegen auf Fehler (Risse, Ausbruch) überprüfen.

Fehlerhaften Schleifstein nicht verwenden.

Montieren Sie den Schleifstein (C, Fig 10.....Jet Artikel Nr.: 708042).

Legen Sie beiderseits des Schleifsteins Scheiben (L) bei und ziehen Sie die Mutter (M) fest.

### 7.4 Wechsel der Leder-Abziehscheibe

Netzstecker ziehen.

Lösen Sie die Griffmutter (N) und entfernen Sie die alte Leder-Abziehscheibe.

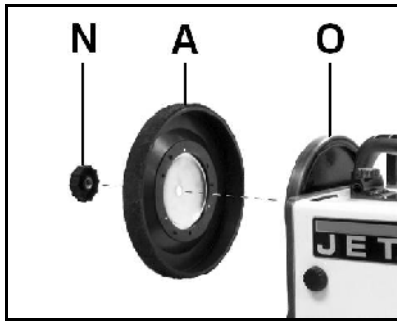


Fig 11

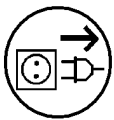
Montieren Sie die neue Leder-Abziehscheibe (A, Fig 11....Jet Artikel Nr.: 708043)

Achten Sie darauf dass die 3 Mitnahmestifte mit dem Reibrad (O) einrasten.

Bei schlechtem Rundlauf drehen Sie die Leder-Abziehscheibe bis sie in der nächsten Rastposition einrastet.

Ziehen Sie die Griffmutter (N) fest.

### 8. Wartung und Inspektion



Wartungs-, Reinigungs- und Reparaturarbeiten nur bei gezogenem Netzstecker durchführen.

Anschlüsse und Reparaturen der elektrischen Ausrüstung dürfen nur von einer Elektrofachkraft durchgeführt werden.

Alle Schutzeinrichtungen müssen nach Wartungs-, Reinigungs- oder Reparaturarbeiten sofort wieder montiert werden.

Ersetzen Sie beschädigte Schutzeinrichtungen sofort.

#### Reinigung:

Wechseln Sie das Wasser im Wassertank in regelmäßigen Abständen.

Reinigen Sie das Maschinengehäuse regelmäßig mit einem weichen Tuch, vorzugsweise nach jedem Einsatz.

Entfernen Sie hartnäckigen Schmutz mit einem weichen, mit Seifenwasser angefeuchteten Tuch.

Verwenden Sie keine Lösungsmittel wie Benzin, Alkohol, Ammoniak usw. Derartige Stoffe beschädigen die Kunststoffteile.

#### Kontrolle der Kollektorbürsten:

Die Stromzufuhr durch Ziehen des Netzsteckers trennen.

Die Bürsten nach ca. 300 Einsatzstunden überprüfen.

Die Bürsten ersetzen, wenn sie bis auf 6 mm abgenutzt sind.

(Jet Teilenummer: 708015-105E 2 Stk. erf.)

### 9. Störungsabhilfe

#### Motor startet nicht

\*Kein Strom-Zuleitung und Sicherung prüfen.

\*Motor, Schalter oder Kabel defekt-Elektrofachkraft kontaktieren.

\*Kollektorbürsten verbraucht Kollektorbürsten ersetzen.

#### Starke Maschinenvibrationen

\*Maschine steht uneben-Ausgleich schaffen.

\*Schleifstein unwuchtig-Schleifstein mit Diamant Abdrehvorrichtung überdrehen.

#### Geschärfte Fläche nicht eben

\*Schleifsteinverschleiß-Schleifstein mit Diamant Abdrehvorrichtung überdrehen

\*Statisches Schleifen-Bewegen Sie das Werkzeug um einen gleichmäßigen Steinverschleiß zu erreichen.

#### Schärfresultat schlecht

\*Schleifstein stumpf-Mit Stein-Präparierer die Körnung schärfen

\*Leder-Abziehscheibe trocken-Honierpaste auftragen.

\*Schleifdruck zu hoch-Bearbeitung nie erzwingen.

### 10. Umweltschutz

Schützen Sie die Umwelt!

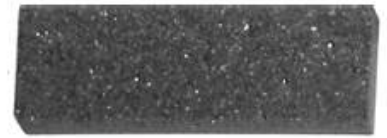
Ihr Gerät enthält mehrere unterschiedliche, wiederverwertbare Werkstoffe.

Bitte entsorgen Sie es nur an einer spezialisierten Entsorgungsstelle.

### 11. Lieferbares Zubehör



Untersatz mit 2 Laden (Jet Artikel Nr.: 708016)



Stein-Präparierer (708017)



Diamant-Abdrehvorrichtung (708018)



Vorrichtung für Messer (708019)



Vorrichtung für Drehröhren (708020)



Vorrichtung für Langmesser (708021)



Tube mit Honierpaste (708023)



**Maschinenabdeckung (708024)**



**Vorrichtung für Hobelmesser  
(708032)**



**Vorrichtung für Schnitzwerkzeug  
(708025)**



**Schleifstütze (708034)**



**Stützarm-Verlängerung (708040)**



**Vorrichtung für Scheren (708026)**



**Seiten-Stützarm (708027)**



**Profilierte Leder-Abziehscheibe  
(708028)**



**Vorrichtung für Äxte (708031)**

# FR - FRANCAIS

## Mode d'emploi

Cher client,

Nous vous remercions de la confiance que vous nous portez avec l'achat de votre nouvelle machine JET. Ce manuel a été préparé pour l'opérateur de l'**affûteuse à eau JSSG-10**. Son but, mis à part le fonctionnement de la machine, est de contribuer à la sécurité par l'application des procédés corrects d'utilisation et de maintenance. Avant de mettre l'appareil en marche, lire les consignes de sécurité et de maintenance dans leur intégralité. Pour obtenir une longévité et fiabilité maximales de votre affûteuse, et pour contribuer à l'usage sûr de la machine, veuillez lire attentivement ce mode d'emploi et suivre les instructions.

### Table des Matières

#### 1. Déclaration de conformité

#### 2. Prestations de garantie

#### 3. Sécurité

Utilisation conforme  
Consignes de sécurité  
Risques

#### 4. Spécifications

Indications techniques  
Emission de bruit  
Contenu de la livraison  
Description de la machine

#### 5. Transport et montage

Transport  
Montage  
Raccordement au réseau électr.  
Mise en exploitation

#### 6. Fonctionnement de la machine

Préparation de la pierre  
Affûtage d'outils  
Polissage d'outils

#### 7. Réglages

Réglage du dispositif d'affûtage  
Réglage de la pression de la roue de friction  
Changement de la meule  
Changement du disque à repasser en cuir

#### 8. Entretien et inspection

#### 9. Détecteur de pannes

#### 10. Protection de l'environnement

#### 11. Accessoires

### 1. Déclaration de conformité

Par le présent et sous notre responsabilité exclusive, nous déclarons que ce produit satisfait aux normes conformément aux lignes directrices indiquées page 2.

### 2. Prestations de garantie

Le vendeur garantit que le produit livré est exempt de défauts de matériel et de fabrication. La présente garantie ne s'applique pas aux défauts résultant d'une utilisation directe ou indirecte incorrecte, de l'inattention, d'un accident, d'une réparation, d'une maintenance ou d'un nettoyage insuffisant, ou encore de l'usure normale.

Il est possible de faire valoir des prétentions en garantie dans les 12 mois suivant la date de la vente (date de la facture). Toute autre prétention est exclue.

La présente garantie comprend toutes les obligations de garantie incombant au vendeur et remplace toutes les déclarations et conventions antérieures en termes de garanties.

Le délai de garantie s'applique pour une durée d'exploitation de huit heures par jour. Au-delà, le délai de garantie diminue proportionnellement au dépassement, mais pas en deçà de trois mois.

Le renvoi d'une marchandise faisant l'objet d'une réclamation requiert l'accord préalable exprès du vendeur et s'effectue aux frais et aux risques de l'acheteur.

Les prestations de garantie détaillées figurent dans les Conditions générales (CG). Ces dernières sont disponibles sur [www.jettools.com](http://www.jettools.com) ou peuvent être envoyées par la poste sur demande.

Le vendeur se réserve le droit de modifier à tout moment le produit et les accessoires.

### 3. Sécurité

#### 3.1 Utilisation conforme

La machine est conçue pour poncer et pour affûter des outils.

Le travail d'autres matériaux est interdit et ne peut être effectué que dans des cas spéciaux et après accord du fabricant de la machine.

Pour l'usinage, l'outil doit se laisser poser et guider sans problème.

L'utilisation conforme implique le strict respect des instructions de service et de maintenance indiquées dans ce manuel.

La machine doit être exclusivement utilisée par des personnes familiarisées avec le fonctionnement, la maintenance et la remise en état, et qui sont informées des dangers correspondants.

L'âge minimum requis par la loi est à respecter.

La machine ne doit être utilisée que si elle est en parfait état.

N'utiliser la machine que si tous les dispositifs de sécurité et de protection sont en place.

En plus des directives de sécurité contenues dans ce mode d'emploi et des consignes de sécurité en vigueur dans votre pays, il faut respecter les règles générales concernant l'utilisation des machines pour le travail des métaux.

Toute utilisation sortant de ce cadre est considérée comme non-conforme et le fabricant décline toute responsabilité, qui est dans ce cas rejetée exclusivement sur l'utilisateur.

#### 3.2 Consignes de sécurité

L'utilisation non-conforme d'une machine pour le travail des métaux peut être très dangereuse. C'est pourquoi vous devez respecter scrupuleusement les consignes de lutte contre les accidents et les instructions suivantes.



Lire attentivement et comprendre ce mode d'emploi avant de monter ou d'utiliser votre appareil.

Conserver à proximité de la machine tous les documents fournis avec l'outillage (dans une pochette en plastique, à l'abri de la poussière, de l'huile et de l'humidité) et veiller à joindre cette documentation si vous cédez l'appareil.

Ne pas effectuer de modifications à la machine. Utiliser les accessoires recommandés, des accessoires incorrects peuvent être dangereux.

Chaque jour avant d'utiliser la machine, contrôler les dispositifs de protection et le fonctionnement impeccable.

En cas de défauts à la machine ou aux dispositifs de protection avertir les personnes compétentes et ne pas utiliser la machine. Déconnecter la machine du réseau.

Avant de mettre la machine en marche, retirer cravate, bagues, montre ou autres bijoux et retrousser les manches jusqu'aux coudes. Enlever tous vêtements flottants et nouer les cheveux longs.

Porter des chaussures de sécurité, surtout pas de tenue de loisirs ou de sandales.

Porter équipement de sécurité personnel pour travailler à la machine - des lunettes protectrices, - une protection acoustique.

### **Toujours utiliser des lunettes de protection.**

Les outils sont très tranchants et peuvent provoquer des blessures graves. Ne les utiliser qu'avec beaucoup de précautions.

Ne monter les outils que sur les dispositifs adéquats et les manipuler avec sûreté afin qu'ils ne glissent pas ou qu'ils ne soient pas éjectés.

### **Ne jamais affûter en tenant la pièce seulement à main levée.**

Pendant l'usinage, éloigner suffisamment les doigts de la zone du travail.

Ne jamais polir d'outil dans le sens inverse de rotation, l'outil serait éjecté et le disque à repasser en cuir serait détérioré.

Placer la machine de sorte à laisser un espace suffisant pour la manœuvre et le guidage des outils.

Veiller à un éclairage suffisant.

Placer la machine sur un sol stable et plat.

S'assurer que le câble d'alimentation ne gêne pas le travail ni ne risque de faire trébucher l'opérateur.

Conserver le sol autour de la machine propre, sans déchets, huile ou graisse.

Prêter une grande attention à votre travail et rester concentré.

Eviter toute position corporelle anormale.

Veiller à une position stable et garder un bon équilibre à tout moment.

Ne pas travailler sous l'influence de drogues, d'alcool ou de médicaments.

Eloigner de la machine toutes personnes incompétentes, surtout les enfants.

Les étincelles produites lors du travail à sec peuvent provoquer des blessures et mettre le feu à des matériaux inflammables.

Lors de la manœuvre et du retrait des pièces, ne jamais mettre les mains dans la machine en marche.

Ne jamais laisser la machine en marche sans surveillance. Arrêter la machine avant de quitter la zone de travail.

Ne pas mettre la machine à proximité de liquides ou de gaz inflammables. De simples étincelles aux balais peuvent produire une inflammation.

Tenir compte des possibilités de prévention et de lutte contre les incendies, par ex. lieu et utilisation des extincteurs.

Préserver la machine de l'humidité et ne jamais l'exposer à la pluie.

Ne pas faire forcer la machine. Elle vous rendra de meilleurs services et donnera de meilleurs résultats, sans nuire à la sécurité, si elle est utilisée selon la fréquence pour laquelle elle a été conçue.

S'assurer que la machine fonctionne correctement, contrôler régulièrement que les vis sont bien bloquées.

Ne jamais utiliser la machine sans les dispositifs de protection – Dangers importants de blessures !

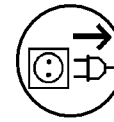
Tous travaux de branchement et de réparation sur l'installation électrique doivent être exécutés uniquement par un électricien qualifié.

Toujours dérouler entièrement les rallonges.

Remplacer immédiatement les rallonges endommagées.

Avant de connecter la machine au réseau, il faut contrôler que l'interrupteur est bien en position d'arrêt.

Ne pas utiliser la machine, si l'interrupteur ON/OFF n'arrête ni ne met l'affûteuse en marche de manière effective.



Faire tous les travaux d'équipement, de réglage et de nettoyage sur la machine à l'arrêt et après l'avoir déconnectée du réseau.

Remplacer immédiatement toute meule endommagée.

Quand la meule est humide, il ne faut pas l'exposer à une température inférieure à 0° (danger de gel)

### **3.3 Risques**

Même en respectant les directives et les consignes de sécurité les risques suivants existent.

Danger de blessures par la meule en travaillant sans le dispositif de protection.

Danger par rupture de la meule.

Danger de pièces éjectées.

Risque de nuisance par poussières, outils et bruit.

Porter équipements de sécurité personnels tels que lunettes, cache-visage pour travailler à la machine.

Danger par câble électrique endommagé, usé ou mal branché. Éviter le contact du corps avec les surfaces conductrices ou reliées à la terre (par ex. tuyaux, radiateurs, enfilades et réfrigérateurs.)

## **4. Spécifications JSSG-10**

### **4.1 Indications techniques**

Meule	Ø250x 50x Ø12mm
Disque à repasser cuir	Ø230x 30mm
Vitesse rot. course libre	90-150 T/min
Dimensions Lxlxh	400x300x330mm
Poids	14,5 kg
Voltage	230V ~1L/N/PE 50-60Hz
Puissance	160W
Courant électrique	0,9 A
Raccordement (H07RN-F)	3x1mm <sup>2</sup>
Fusible secteur électrique	10A
Isolation	I

## 4.2 Emission de bruit

(Incertitude de mesure 4 dB)

Puissance sonore  
(selon EN ISO 3746):  
Marche à vide LwA 74,0 dB(A)

Niveau de pression sonore  
(selon EN ISO 11202):  
Marche à vide LpA 68,7 dB(A)

Les indications données sont des niveaux de bruit et ne sont pas forcément les niveaux pour un travail sûr.

Cette information est tout de même importante, ainsi l'utilisateur peut estimer les dangers et les risques possibles.

## 4.3 Contenu de la livraison

Affûteuse à eau  
Meule Ø250mm, Grains 250  
Disque à repasser en cuir Ø230mm  
Réservoir à eau  
Bras-support standard  
Dispositif pour coupe droite  
Racloir pour meule  
Tube de pâte à polir  
Guide d'angle d'affûtage  
Indicateur d'angle  
Mode d'emploi  
Liste pièces de rechange  
DVD

## 4.4 Description de la scie

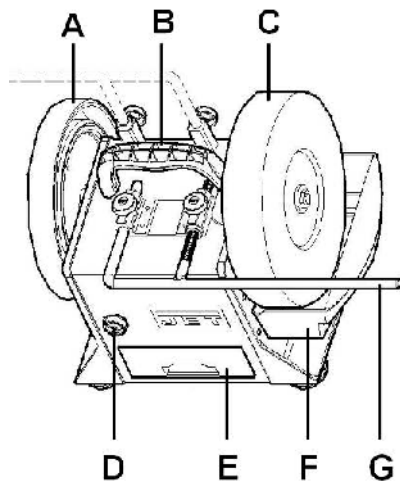


Fig 1

- A....Disque à repasser en cuir
- B....Poignée
- C....meule
- D....Régulateur pression de la roue de friction
- E....Tiroir à outils
- F....Réservoir à eau
- G....Bras-support standard
- H....Régulateur de vitesse de rotation
- I.....Interrupteur ON/OFF
- J.....Pieds en caoutchouc (4)

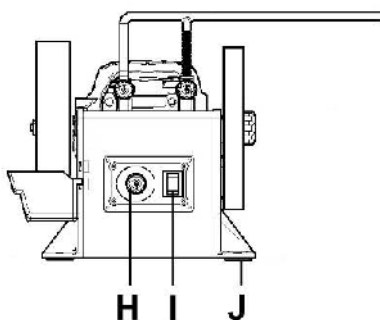


Fig 2

- P....Dispositif pour coupe droite
- Q...Racloir pour meule
- R...Tube de pâte à polir
- S...Guide d'angle
- T...Indicateur d'angle

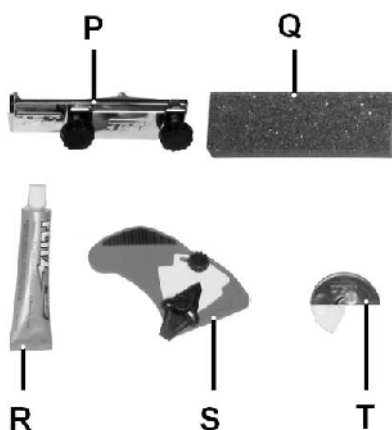


Fig 3

## 5. Transport et mise en exploitation

### 5.1.Transport

Effectuer le montage de la machine dans un local fermé ou un atelier respectant les conditions de menuiserie.

Placer la machine sur une surface stable et plane. La machine peut aussi être fixée à la surface.

Pour des raisons techniques d'emballage la machine n'est pas complètement montée à la livraison.

### 5.2 Montage

Avertir immédiatement JET si vous constatez des pièces endommagées par le transport et ne pas monter la machine.

Eliminer l'emballage dans le respect de l'environnement.

Enlever la protection antirouille sur la table avec un dissolvant.

### Retirer le dispositif de blocage pour le transport

Entre le moteur et le bâti, il y a une cale de transport en matière synthétique

Retirer le tiroir à outils (E)

Poser la machine sur le côté et retirer le bloc de mousse

### Montage de la meule:

Monter la meule (C) sur la broche (K).

Pour cela, mettre des rondelles (L) de chaque côté de la meule (L) et bloquer l'écrou (M).

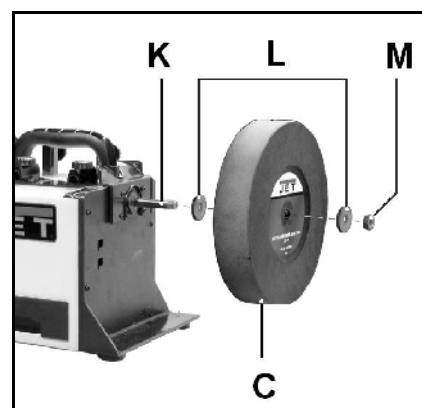


Fig 4

Remarque

La meule a été arrachée au diamant au départ usine.

Ceci permet un parfait déroulement cylindrique dès la première minute.

### Montage du réservoir à eau:

Monter le réservoir à eau (F, Fig 1) sur le côté du bâti et le remplir d'eau jusqu'à la ligne « MAX »

Remarque

Lors des 15 premières minutes, la pierre absorbe beaucoup d'eau (environ 0,5 Litre).

Quand l'usure de la pierre en réduit le diamètre, il faut fixer le réservoir sur le deuxième (le plus haut) logement.

### Montage du bras-support standard :

Monter le bras-support standard (G) sur la machine.

Pour les différents travaux d'affûtage, il existe différentes possibilités de montage.

### Bac à outils:

Les accessoires standard peuvent être rangés dans le tiroir à outils (E).

L'indicateur d'angle (T) peut être entreposé sur le côté droit du bâti, l'endroit indiqué pour cela est muni d'un aimant.

Le guide d'angle (S) est muni d'un aimant et peut être entreposé partout sur le bâti en métal.

### 5.3 Raccordement au réseau électr.

Avant de connecter la machine au réseau, il faut absolument que l'interrupteur soit en position arrêt (I, Fig 2).

Le raccordement ainsi que les rallonges utilisées doivent correspondre aux instructions.

Le voltage et la fréquence doivent être conformes aux données inscrites sur la machine.

Le fusible de secteur électrique doit avoir 10A.

Utiliser pour le raccordement des câbles H07RN-F.

Tous travaux de branchement et de réparation sur l'installation électrique doivent être exécutés uniquement par un électricien qualifié.

### 5.4 Mise en exploitation

La machine est mise en route avec l'interrupteur ON/OFF (I, Fig 2).

Afin d'affûter les différents outils, la vitesse de rotation peut être réglée de 90 à 150 T/min.

La vitesse optimale pour chaque opération d'affûtage est choisie avec le régulateur (H).

Quand l'usure de la pierre en réduit le diamètre, il faut compenser par une vitesse de rotation plus haute.

## 6. Fonctionnement de la machine

Pour obtenir une position de travail plus confortable, il peut être nécessaire de tourner la machine de 180°.

Porter équipement de sécurité personnel pour travailler à la machine.

### Toujours utiliser des lunettes de protection.

Pendant l'usinage, éloigner suffisamment les doigts de la zone de travail.

Les étincelles produites lors du travail à sec peuvent provoquer des blessures et mettre le feu à des matériaux inflammables.

Remplacer immédiatement toute meule endommagée.

Les outils sont très tranchants et peuvent provoquer des blessures graves. Ne les manipuler qu'avec beaucoup de précautions.

Avant de connecter la machine au réseau, il faut absolument que l'interrupteur soit en position arrêt (I, Fig 2).

### 6.1 Préparation de la meule

Le racloir de la meule (Q) est pourvu de deux grains différents pour préparer la pierre au ponçage fin ou grossier.

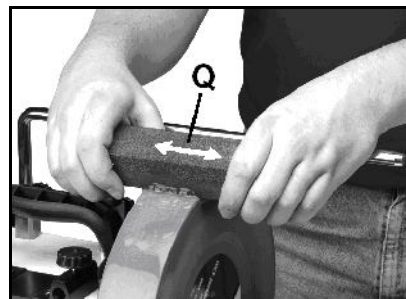


Fig 5

Mettre l'affûteuse à eau en route.

Imprimer des mouvements au racloir afin d'obtenir un enlèvement régulier.

En changeant le grain, il est possible de passer d'un résultat de ponçage grossier à fin et inversement.

Utiliser le racloir pour préparer le grain de la meule selon les besoins.

### 6.2 Affûtage des outils:

Il faut toujours monter les outils sur les dispositifs adéquats et les manipuler avec sûreté afin qu'ils ne glissent pas ou ne soient pas éjectés.

Ne jamais affûter en tenant la pièce seulement à main levée.

Dans la plupart des cas c'est l'affûtage dans le sens contraire de la rotation qui donne les meilleurs résultats (Fig 6).

Pour obtenir une position de travail plus confortable, il peut être nécessaire de tourner la machine de 180°.

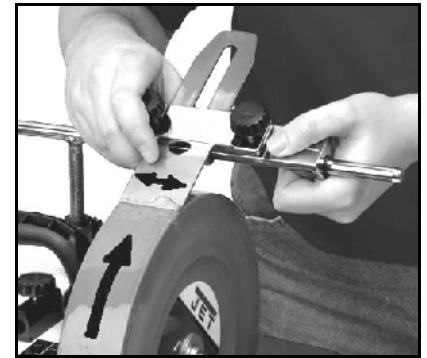


Fig 6

Faire bouger l'outil de gauche à droite afin d'obtenir une usure régulière de la meule.

Les coupes étroites ou arrondies ne nécessitent qu'une légère pression sur le travail

### 6.3 Polissage des outils:

Répartir de la pâte à polir (R) sur le disque en cuir (A).

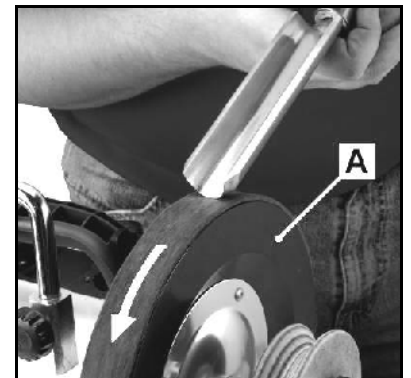


Fig 7

Pour gommer rapidement des barbillons, polir en alternance les deux côtés du tranchant

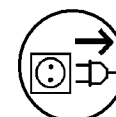
Il faut toujours polir dans le sens de rotation (Fig 7).

Pour obtenir une position de travail plus confortable, il peut être nécessaire de tourner la machine de 180°.

### Attention:

Ne jamais polir un outil dans le sens inverse de la rotation, l'outil serait éjecté et le disque en cuir abîmé.

## 7. Réglages



Faire tous les travaux d'équipement, de réglage et de nettoyage sur la machine à l'arrêt et après l'avoir déconnectée du réseau.

### 7.1 Réglage du dispositif d'affûtage

Utiliser l'indicateur d'angle (T) pour définir l'angle de coupe donné.

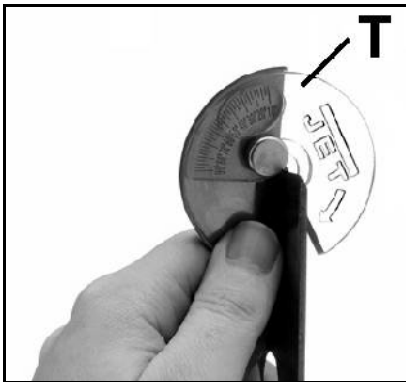


Fig 8

Monter l'outil dans le dispositif d'affûtage adéquat.

Modifier la position du bras-support (G, Fig 9) et de l'outil afin d'obtenir l'angle d'affûtage souhaité.

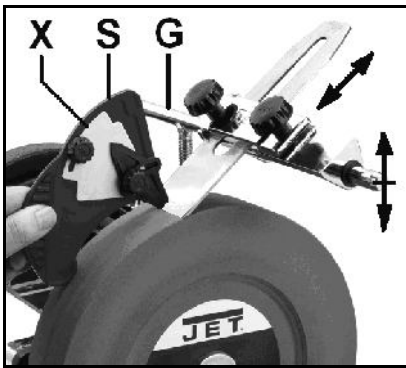


Fig 9

Utiliser le guide d'angle (S) pour contrôler l'angle d'affûtage sur la meule

Remarque :

Il faut régler le diamètre de la meule sur la graduation (X).

### 7.2 Réglage de la pression de la roue de friction

Lors de travaux intensifs, il est possible que la roue patine.

Pour combattre ce processus, la machine dispose d'un régulateur de pression de la roue.

Tourner le bouton du régulateur (D, Fig 1) dans le sens des aiguilles d'une montre pour augmenter le couple.

Baisser de nouveau la pression lorsque qu'aucun couple supplémentaire n'est nécessaire ou si la machine n'est plus utilisée. Ceci pour éviter une déformation persistante de la partie en caoutchouc (O) de la roue.

### 7.3 Changement de la meule

Il faut changer la meule (C) lorsque son diamètre est inférieur à 150 mm.

Débrancher la machine.

Desserrer la vis (M) et retirer la vieille meule.

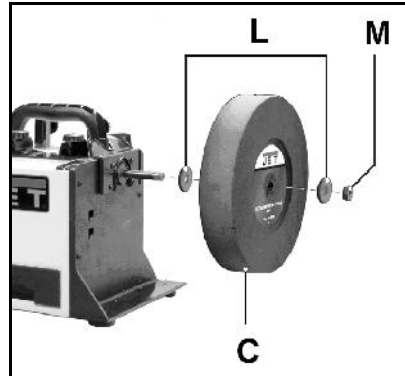


Fig 10

La nouvelle meule doit correspondre aux indications techniques données.

Avant de monter la meule, contrôler si elle est en parfait état (lésion, éclat). Ne pas utiliser de meule abîmée.

Monter la meule (C, Fig 10,.....article Jet Nr.: 708042).

Pour cela mettre des rondelles (L) de chaque côté et bloquer la vis (M).

### 7.4 Changement du disque à repasser en cuir

Débrancher la machine.

Desserrer l'écrou moleté (N) et retirer le vieux disque en cuir.

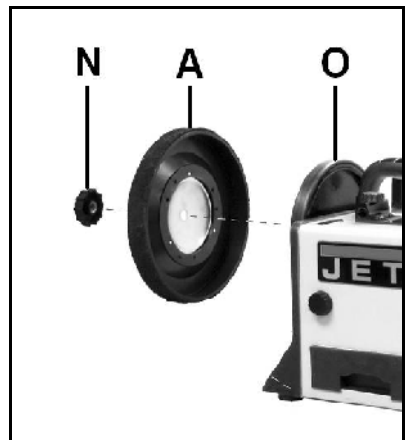


Fig 11

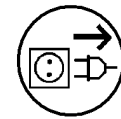
Monter le nouveau disque en cuir (A, Fig 11, article Jet Nr.: 708043 ).

Veiller à ce que les 3 goupilles de verrouillage s'enclenchent avec le disque (O).

En cas de mauvais déroulement cylindrique, faire tourner le disque en cuir jusqu'à ce qu'il s'enclenche dans le cran suivant

Resserrer l'écrou moleté (N).

## 8. Entretien et inspection



**Faire tous les travaux de maintenance, réglage ou nettoyage après avoir débranché la machine du réseau!**

Tous travaux de branchement et de réparation sur l'installation électrique doivent être exécutés uniquement par un électricien qualifié.

Remonter immédiatement tous les dispositifs de protections après tous les travaux d'entretien, de nettoyage et de réparation.

Remplacer immédiatement les dispositifs de protection endommagés.

### Nettoyage:

Changer régulièrement l'eau du réservoir.

Nettoyer régulièrement le carter au moyen d'un chiffon doux, de préférence à l'issue de chaque utilisation.

Pour éliminer les saletés tenaces, employer un chiffon doux humecté d'eau savonneuse.

Proscrire l'emploi de solvants comme l'essence, l'alcool, l'ammoniaque etc. car ces substances attaquent les pièces en plastique.

### Balais à charbon:

-Débranchez la machine du réseau.

Contrôler les brosses toutes les 300 heures de travail.

Remplacez les balais à charbon, dès qu'ils sont usés à 6 mm.

(Numéro d'article Jet: 708015-105E

2 balais nécessaires)

## 9. Détecteur de pannes

### Moteur ne se met pas en route

\*Pas de courant-  
Vérifier le voltage.

\*Défaut au moteur, bouton ou câble-  
Contacter un électricien qualifié.

\*Les balais à charbon sont usés-  
Remplacer les balais.

### **Vibration violente de la machine**

\*La machine n'est pas sur un sol plat-  
Repositionner la machine.

\*Meule non équilibrée-  
Faire tourner la meule avec le bort à tourner.

### **Surface d'affûtage non plane**

\*Meule usée-  
Faire tourner la meule avec le bort à tourner.

\*Affûtage statique-  
Faire bouger l'outil pour obtenir l'usure régulière de la meule.

### **Mauvais résultat d'affûtage**

\*Meule émoussée-  
Redresser le grain avec le racloir

\*Disque à repasser en cuir trop sec-  
L'enduire de pâte à polir.

\*Trop de pression sur le travail-  
Ne jamais forcer sur le travail.

## **10. Protection de l'environnement**

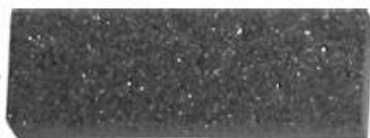
Protégez l'environnement !

Votre appareil comprend plusieurs matières premières différentes et recyclables. Pour éliminer l'appareil usagé, veuillez l'apporter dans un centre spécialisé de recyclage des appareils électriques.

## **11. Accessoires**



**Socle avec deux tiroirs  
(Article Jet Nr.: 708016)**



**Racloir (708017)**



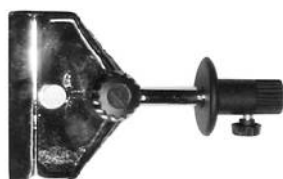
**Bort à tourner (708018)**



**Dispositif pour couteau (708019)**



**Dispositif pour tube rotatif  
(708020)**



**Dispositif pour couteau long  
(708021)**



**Tube de pâte à polir (708023)**



**Bâche de machine (708024)**



**Dispositif pour outils à sculpter  
(708025)**



**Dispositif pour ciseaux (708026)**



**Bras-support latéral (708027)**



**Disque à repasser profilé en cuir  
(708028)**



**Dispositif pour coggée (708031)**



**Dispositif pour fer de rabot  
(708032)**



**Support pour affûtage (708034)**



**Allonge pour bras-support  
(708040)**